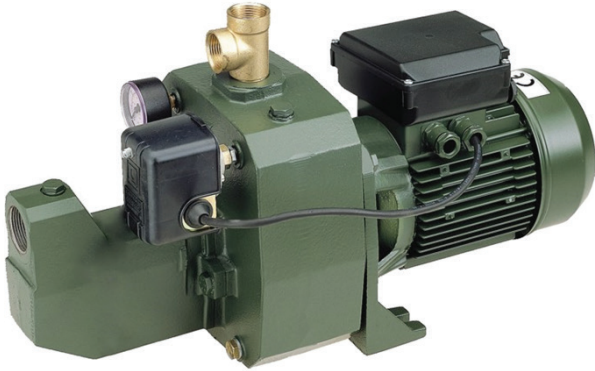


PRODUCT DATA SHEET

DAB-151TP • 701395



PRODUCT DETAILS

The pump is a self-priming surface mounted jet pump and has a suction capability of up to 8m.

APPLICATIONS

- Domestic installations where a suction lift is required
- Pressure boosting, irrigation and wash down
- Designed for pumping from tanks, rivers and dams.

FEATURES

- Pressure switch with adjustable differential
- Pressure gauge
- Self priming centrifugal pump with excellent suction capability
- A pressure tank is required

BRAND



TECHNICAL DATA

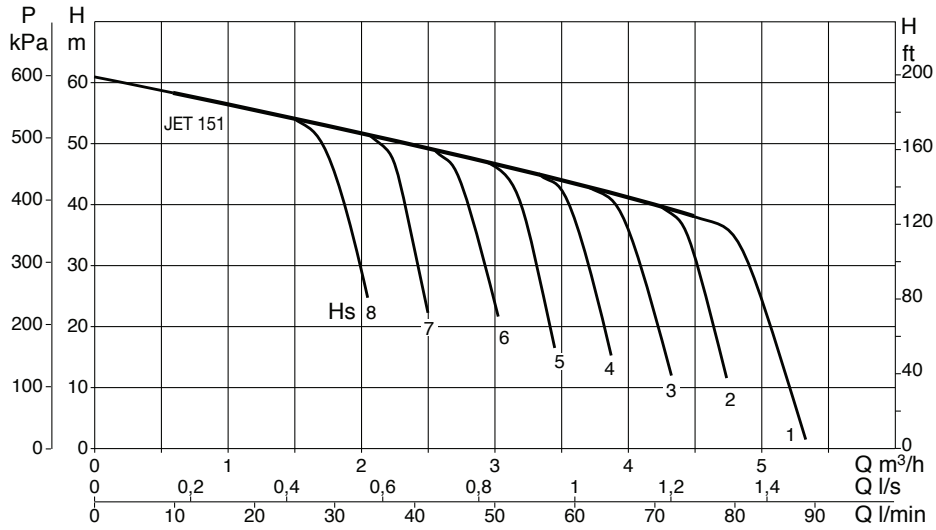
MATERIALS IN CONTACT WITH DRINKING WATER

PUMP	
PUMP BODY	GJL 200 Cast Iron
IMPELLER	Glass reinforced Noryl
JET, VENTURI, DIFFUSER	Glass reinforced Noryl
MECHANICAL SEAL	Carbon Ceramic Nitrile
O RINGS	Nitrile

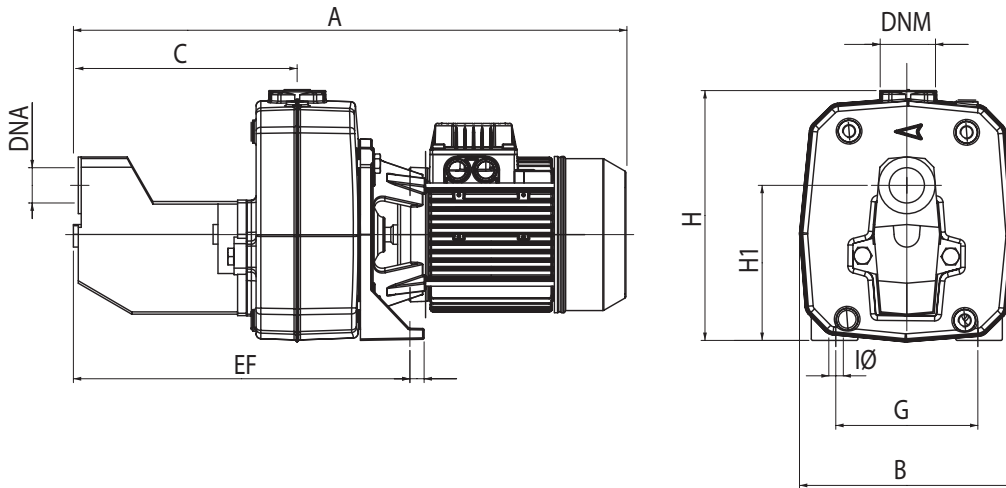
SPECIFICATIONS

RATED POWER (KW)	1.1 (1.5hp)
MAX. FLOW [LPM]	75
MAX. HEAD [M]	61
PORTS	32mm x 25mm (1-1/4"x1")BSP
START PRESSURE (BAR)	3.1
STOP PRESSURE (BAR)	4.8
VOLTS (V)	415
CARTON DIMENSIONS	600mm L x 236mm W x 267mm H
WEIGHT (KG)	31.5

CURVE



DIMENSIONS



MODEL	A	B	C	E	F	G	I Ø	H	H1	DNA GAS	DNM GAS
DAB-151	558	210	221	350	20	145	11	255	158	1¼"	1"

WARRANTY / CERTIFICATIONS

